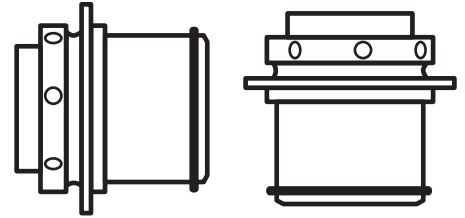


iodine 15mm end cap conversion kit



PARTS LIST

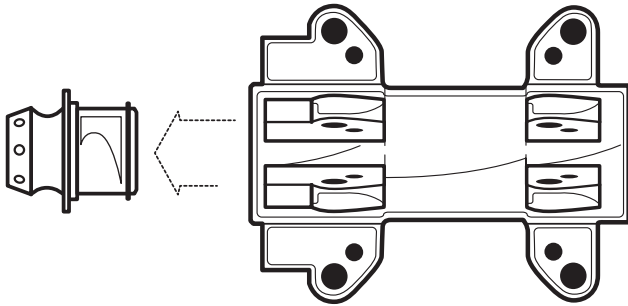
Two 15mm end caps with o-rings
Two outer seals

TOOL LIST

no tools required

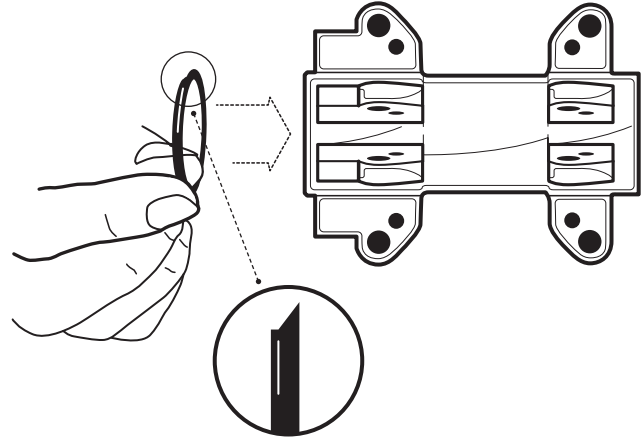
STEP 1

Remove the 20mm end caps from the front hub. This can be done by simply pulling on the end cap while holding the hub stationary. A slight twisting action may help if it difficult to pull straight off.



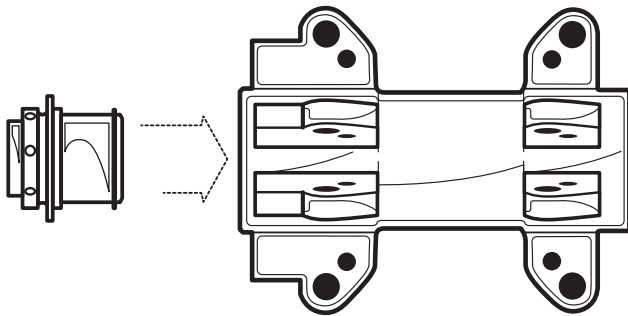
STEP 2

Place the outer seal over the exposed cartridge bearing.



STEP 3

Lubricate one of the 15mm axle caps with spray lube (not WD-40) and push it into the hub shell and bearing.



STEP 4

To finish the install, repeat steps 1-3 on the other side of the hub.

Install the wheel on to the fork and spin it. The wheel should rotate freely. If the wheel does not rotate properly, it is likely that one of the 15mm end caps is not pressed in completely and you must return to step 3.

WARRANTY

Crankbrothers 15mm thru axle kit is warranted against defects in workmanship for 2 years from the date of purchase. This warranty is limited to the repair or replacement of this product. Crankbrothers at its option will either repair or replace any defective parts. This warranty does not cover damage caused by rider errors or improper installation. Your receipt is required for warranty claims. Contact crankbrothers directly for warranties. See contact information at the bottom of this page.

WARNING

The instructions should be read thoroughly before installation. Failure to follow these instructions and warning statements before installing and using this 15mm thru axle may result in severe injury or death. Improper installation and/or use of this product can result in severe injury. Riding bicycles is inherently dangerous.

Never ride with a 15mm thru axle that is improperly installed, modified, or damaged. Remember to check the 15mm thru axle periodically for wear or damage. When parts exhibit damage or are visibly worn, replace or repair them immediately. A loose, over-tightened, damaged, bent, or worn part may cause a malfunction unexpectedly and cause a fall that could result in severe injury.

Always confirm that your brakes are working properly after your wheels are installed.

If you have any doubts about your ability to correctly install this 15mm thru axle, compatibility or use please return it to your dealer for proper installation or inspection.

Failure to properly install this 15mm thru axle onto your bicycle may cause the wheel to become detached from the bicycle while you are riding and result in serious bodily injury or death. This 15mm thru axle must be used with compatible hubs and forks. Always check wheels for proper installation before riding your bicycle.

Be especially sure to check that your wheels are properly installed after parking your bicycle in a public location. Failure to do so could result in a detached wheel causing severe injury or death.

Keep all 15mm thru axle parts relatively clean of debris. To prevent serious injury while riding, be sure your entire bicycle is adequately maintained and that all components are correctly installed and adjusted.

For more information regarding the mounting of the 15mm thru axle, its use, or maintenance, please go to your authorized dealer or contact crankbrothers. Always use a helmet and follow the rules of the road when cycling. Always use proper headlights and taillights when riding at times of reduced visibility.



QUESTIONS OR COMMENTS

tel: 1 949 464 9916 fax: 1 949 376 7010 crankbrothers.com info@crankbrothers.com